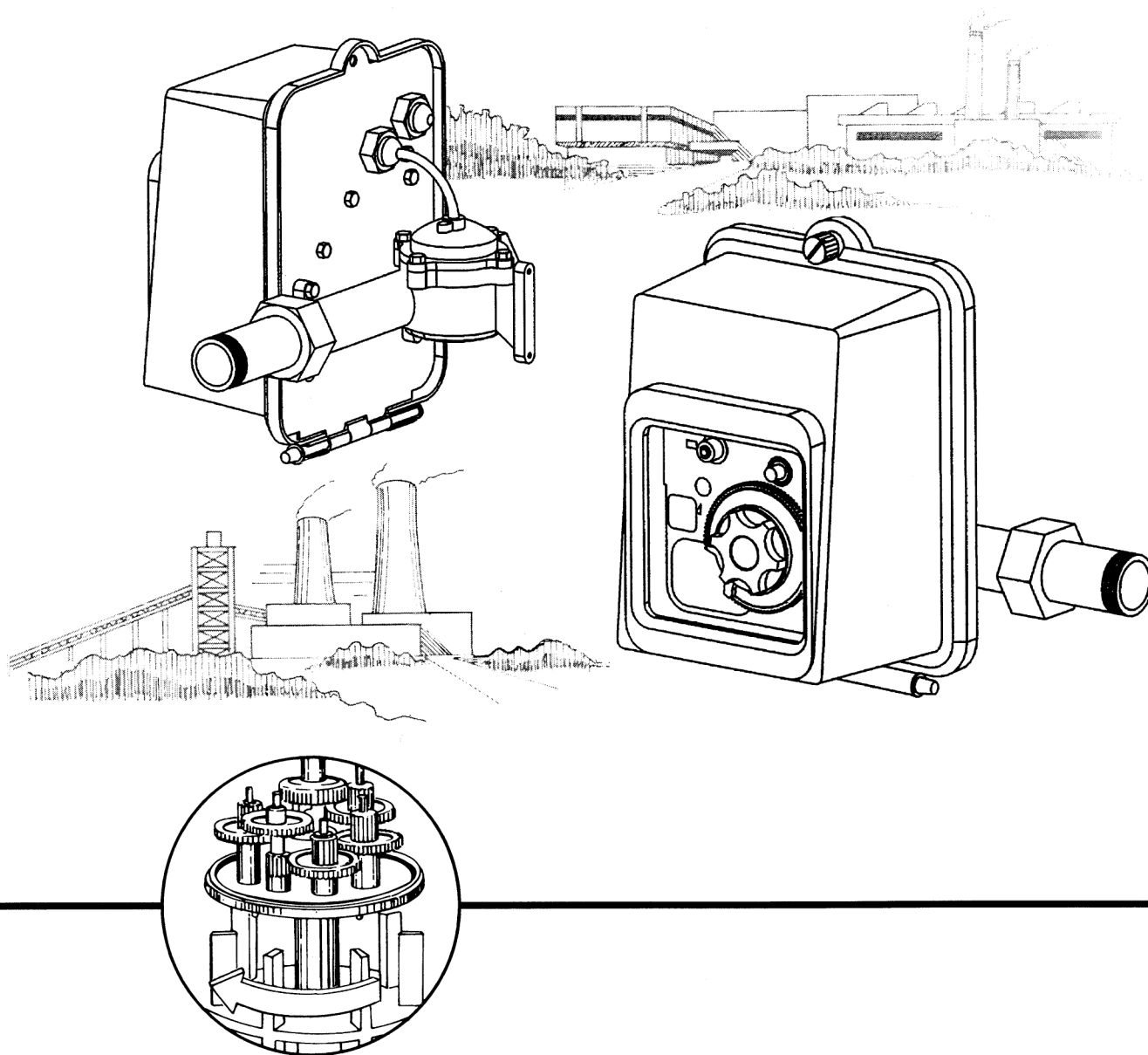


# ECONOMINDER REMOTE RESET METERS

2750RM, 2850RM, 3100RM & 3900RM

*Service Manual*

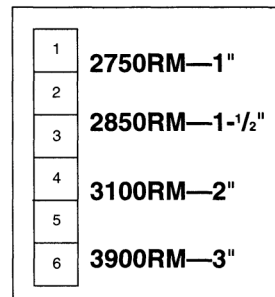
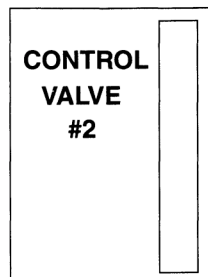
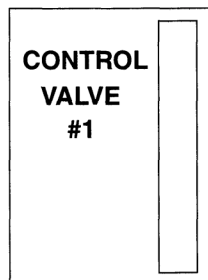


**IMPORTANT:** Fill in pertinent information on page 2 for future reference.

# MODEL 2750RM, 2850RM, 3100RM & 3900RM

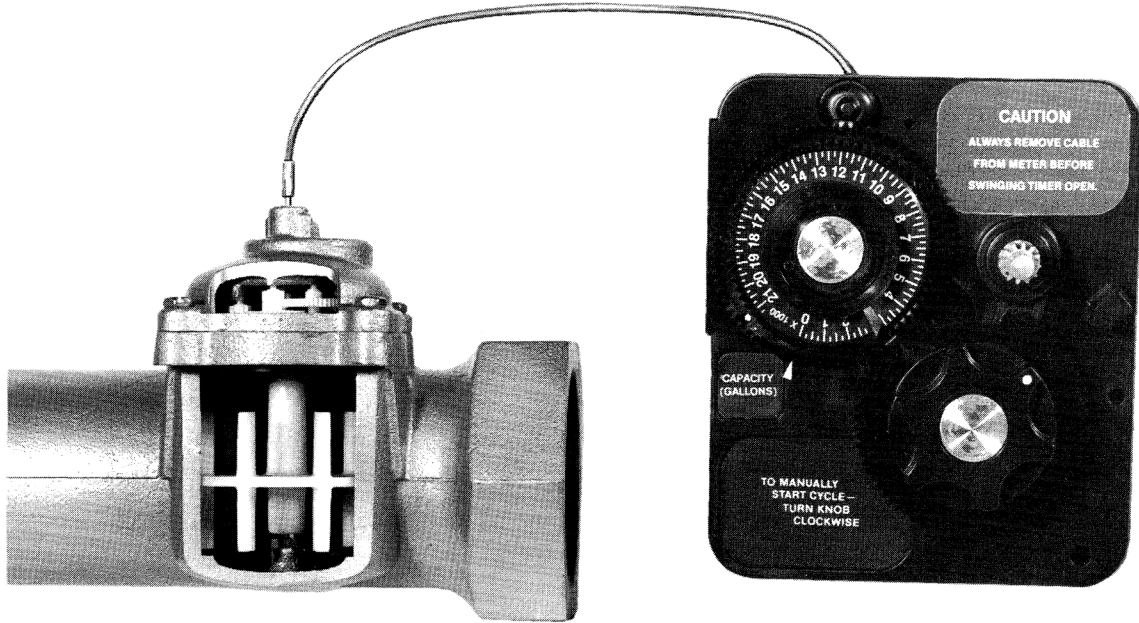
## Job Specification Sheet

- JOB NO. \_\_\_\_\_
- METER MODEL NO. \_\_\_\_\_
- PIPE SIZE INLET TO SOFTENER \_\_\_\_\_  
OUTLET TO FEED LINES \_\_\_\_\_
- ESTIMATED OR MEASURED FLOW RATE MIN. \_\_\_\_\_ gpm
- ESTIMATED OR MEASURED FLOW RATE MAX. \_\_\_\_\_ gpm
- TYPE OF RESET METER \_\_\_\_\_
  - A. Immediate Pulse (6 Minute Reset)
  - B. Delayed Pulse (Factory Set @ 2:00 A.M. with 10 Minute Pulse)
- METER GALLON RANGE \_\_\_\_\_
  - A. 2750RM—1" Standard Range 310 Gallon Min. — 5,270 Gallon Max.  
Extended Range 1,550 Gallon Min. — 26,350 Gallon Max.
  - B. 2850RM—1-1/2" Standard Range 625 Gallon Min. — 10,625 Gallon Max.  
Extended Range 3,125 Gallon Min. — 53,125 Gallon Max.
  - C. 3100RM—2" Standard Range 1,250 Gallon Min. — 21,250 Gallon Max.  
Extended Range 6,250 Gallon Min. — 106,250 Gallon Max.
  - D. 3900RM—3" Standard Range 3,750 Gallon Min. — 63,750 Gallon Max.  
Extended Range 18,750 Gallon min. — 106,250 Gallon Max.
- METER SET @ \_\_\_\_\_ GALLONS  
RESERVE GALLONS FOR DELAYED PULSE METERS \_\_\_\_\_ GALLONS
- WIRING — CONTROL VALVE TO METER TERMINAL STRIPS (**See page 20**)



# MODEL 2750RM, 2850RM, 3100RM & 3900RM

---



*2" meter monitors outlet service flow*

*Model 3220 timer immediate regeneration*

The 2750RM, 2850RM, 3100RM & 3900RM Econominder answers today's commercial/industrial water conservation needs by saving water, salt and sewer use tax. The Econominder mechanical meter monitors the soft water service flow at the control outlet with the meter impeller being the only in-stream moving part. As the turbine turns, its rotation drives a water lubricated gear train in the dome of the meter. As the output shaft at the top of the meter rotates, the cable connection to the timer clutch assembly turns the meter program wheel on the face of the timer counterclockwise until it reaches the regeneration stop position. Regeneration may occur immediately or on a delayed basis depending upon system requirements.

# MODEL 2750RM, 2850RM, 3100RM & 3900RM

## General Installation and Start-up Instructions

### FLOW RANGE:

Model 2750RM —0.7 gpm to 40 gpm. Model 2850RM—1.5 gpm to 75 gpm. Model 3100RM—3 gpm to 150 gpm. Model 3900RM—7 gpm to 300 gpm 5% registration accuracy over these flow ranges.

### ELECTRICAL:

Meter and control valve operating voltages must match.

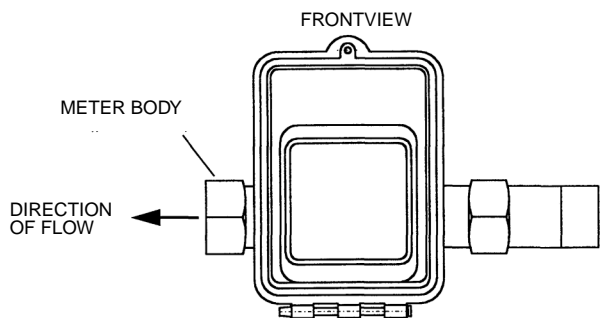
**CAUTION:** Water pressure is not to exceed 120 psi, water temperature is not to exceed 110° or 150°F with hot water package, and meter cannot be exposed to freezing conditions.

### INSTALLATION INSTRUCTIONS

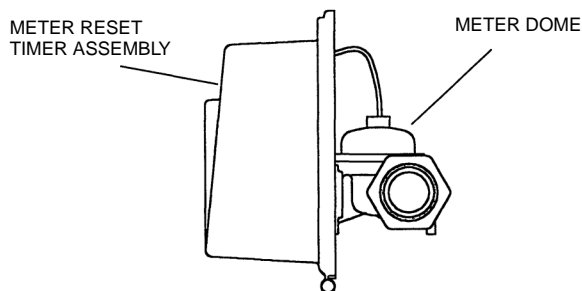
1. All plumbing shall be done in accordance with local plumbing codes. The 2750RM, 2850RM, 3100RM & 3900RM meters are to be installed on soft water outlets. Twin units with (1) one meter shall be installed on the common soft water outlet of the units.

**NOTE:** Arrow on brass casting indicates direction of water flow.

2. All water lines should be flushed prior to meter installation.
3. For ease of service, a union should be installed on the outlet of the meter. The inlet has its own built-in union.
4. 2750RM, 2850RM, 3100RM and 3900RM meter bodies shall be installed the horizontal position with the reset timer assemblies in the vertical position. See *Diag. 1* and *Diag. 2*.

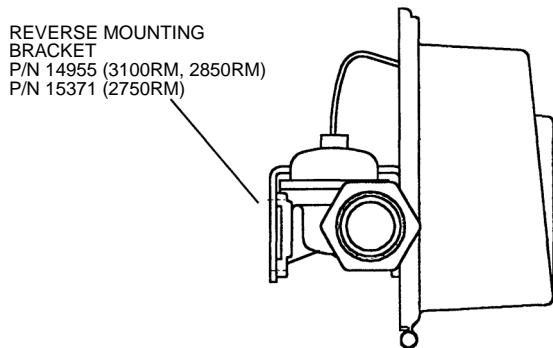


*Diag. 1*



*Diag. 2*

5. Note: If "Meter Reset Timer Assembly" must be located on the opposite side of meter body, use bracket PN 14955 or 15371. See *Diag. 3*.



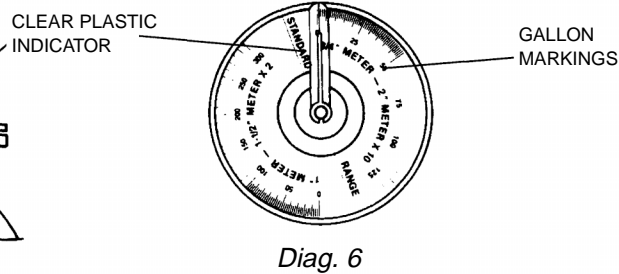
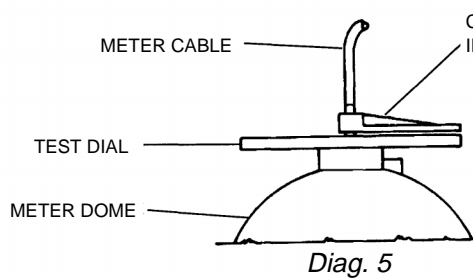
*Diag. 3*

**CAUTION:** Always remove meter cable from dome only — DO NOT remove from meter reset timer assembly.

# MODEL 2750RM, 2850RM, 3100RM & 3900RM

## General Installation and Start-up Instructions (continued)

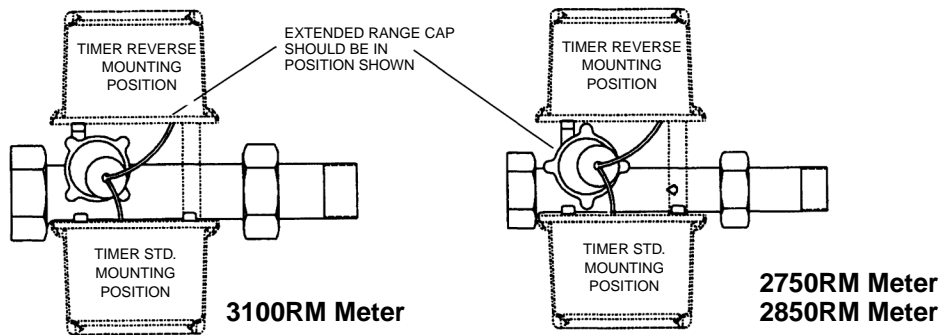
6. Electrical: All electrical connections must be made in accordance to local codes. Follow control valve manufacturer's wiring schematic.
7. Once pressurized check for leaks. Use meter checker (enclosed in package) to check operation. See *Diag. 5* and *Diag. 6*.



- A. Pull cable out of meter dome.
- B. Place test dial over protruding hub on meter dome.
- C. Push brass cable fitting into split hole in clear plastic indicator (ribbed side up).
- D. Push cable into socket in meter dome.
- E. Rotate clear plastic indicator counter clockwise until line is at desired start point.

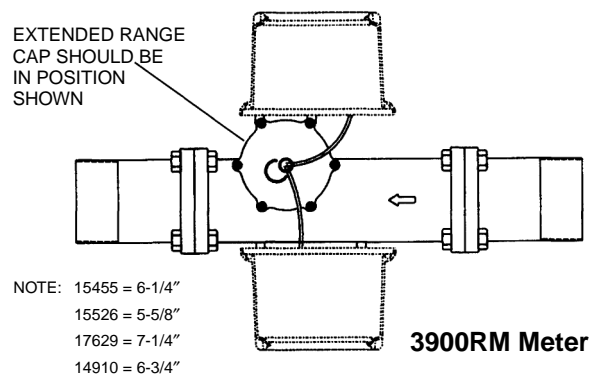
The numbers will count up from zero. Draw a measured volume of water or time a desired flow rate. The clear plastic indicator hair line should read the appropriate gallons on the test dial.

8. Proceed to page 6 & 7 for meter programming and cycling instructions.



MECHANICAL RM	METER CABLE P/N	
	STD. RANGE	EXT. RANGE
2750RM STD. MOUNT	15526	15526
2750RM REV. MOUNT	14910	15455
2850RM STD. MOUNT	15526	15526
2850RM REV. MOUNT	17629	17629
3100RM STD. MOUNT	15455	15455*
3100RM REV. MOUNT	17629	15455
3100RM PLASTIC STD. MOUNT	15526	15526
3100RM PLASTIC REV. MOUNT	15455	17629
3900RM STD. MOUNT	17629	17629
3900RM REV. MOUNT	15526	15526

Spare Cable sent to allow change in orientation of Remote Meter.  
\*3100 EXT Meter gets 1 cable.

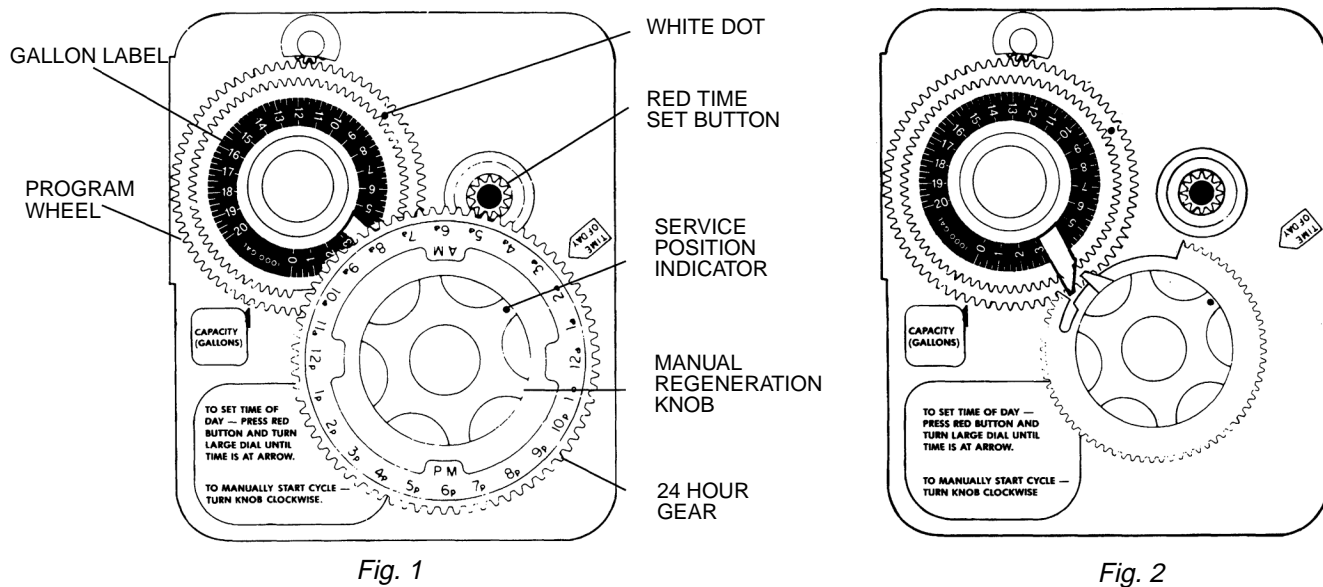


NOTE: 15455 = 6-1/4"  
15526 = 5-5/8"  
17629 = 7-1/4"  
14910 = 6-3/4"



# MODEL 3210/3220 TIMER, REMOTE METER

## Commercial Demand Regeneration Timer Settings



### 1—Gallon Capacity Settings (Fig.'s 1 & 2) — Immediate or Delayed Meters

Calculate the gallon capacity of the system. Enter this figure on the meter by lifting the inner dial of the "Meter Program Wheel" until the "white dot" is opposite the desired capacity on the gallon label. Note: both examples above show a 8750 gallon setting. The "Capacity (Gallons)" label denotes remaining gallons of the system. DELAYED REGENERATION meters should have a reserve capacity calculated into the gallon setting. The reserve capacity is subtracted from the total gallons available between regenerations. A typical reserve is "1" days water usage, but this may vary depending upon the application.

### 2—Setting Time of Day for Delayed Meters (Fig. 1)

Press and hold the red button in to disengage the 24 hour gear.

Turn the 24 hour gear until the actual time of day is at the time of day pointer.

Release the red button to again engage the 24 hour gear.

Regeneration time or Pulse Time is factory set at 2:00 a.m. To set a different regeneration time, apply a new 24 hour label (P/N 14731) to the 24 hour gear. Place the new label over the old label using the old label 2:00 a.m. as your reference point for your new time, i.e., for a 7:00 A.M. regeneration — place new label time (7:00 A.M.) over existing labels 2:00 A.M. mark. Reset the timer to the current time of day, as described in above instructions.

### 3—Manually Initiate a Regeneration Pulse (Fig. 1 & 2)

Turn the manual regeneration knob clockwise until the Service Position Indicator dot is in the 3:00 position. This slight movement (approx. 30° advance) of the Manual Regeneration knob engages the program wheel and starts the reset motor.

The black center knob will make one revolution in:

Delayed Regeneration — 3 hrs.

Immediate Regeneration — 6 mins.

Optional — 90 mins.

# MODEL 3210/3220 TIMER, REMOTE METER

## Regeneration Pulse Setting Procedure

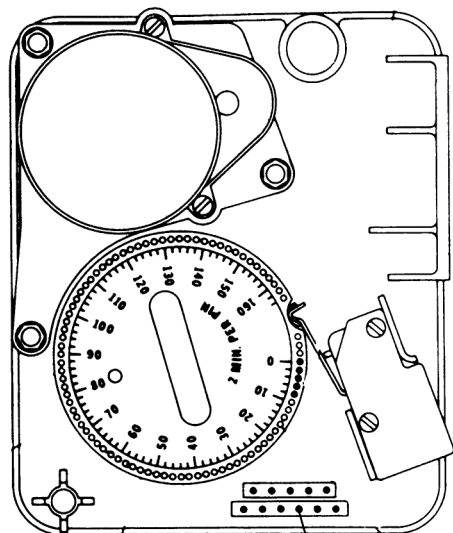


Fig. 3

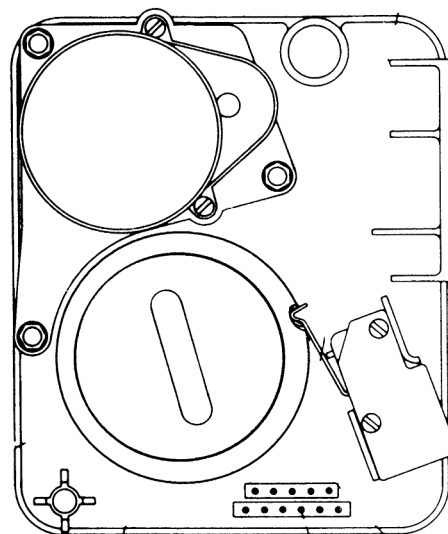


Fig. 4

### Delayed Regeneration (see fig. 3)

Signal Section (2 Min. per Pin)	Minimum Setting 2 Pins — 4 Mins.
------------------------------------	-------------------------------------

Total Reset Time 3 Hours

**NOTE:** Regeneration can be done from remote meter with proper program wheel setting.

### Immediate Regeneration (see fig. 4)

Total reset time 6 Min.

Signal (fixed) — 6 Min.

Optional or 180 Min. program

The regeneration signal on Delayed Regeneration timers *Fig. 3* is pre-set for 10 mins. To lengthen or shorten this time, grasp the lower right-hand corner of the timer and pull, releasing the snap retainer and swinging the timer to the left.

To change the pulse time, the program wheel must be removed. Grasp program wheel and squeeze protruding lugs towards center, lift program wheel off timer. (Switch arms may require movement to facilitate removal.) Add or remove pins to program desired pulse time. (Minimum setting — 4 mins.) Return timer to closed position engaging snap retainer in back plate. Make certain all electrical wires are located outside of snap retainer post.

Immediate Regeneration units *Fig. 4* have a fixed 6 min. signal and reset time; no adjustments can be made unless optional 180 min. program is used.

# MODEL 2750RM, 2850RM, 3100RM & 3900RM

## Service Instructions

PROBLEM	CAUSE	CORRECTION
1. No gallon registration on meter.	<p>A. Defective gear box in dome</p> <p>B. Stuck impeller due to foreign material, pipe dope, flux, etc, causing the impeller not to rotate.</p> <p>C. Meter cable not inserted in meter dome or in meter reset timer.</p> <p>D. Low flows: less than 0.7 gpm for 2750RM less than 1.5 gpm for 2850RM Less than 3.0 gpm for 3100RM less than 7.0 gpm for 3900RM</p> <p>E. Improper installation.</p>	<p>A. Check with meter checker. Replace dome assembly. Caution: see page 9 for proper assembly procedure.</p> <p>B. Check with meter checker. Remove and clean impeller. Caution: see page 9 for proper assembly procedure.</p> <p>C. Insert meter cable in dome and meter reset timer.</p> <p>D. Consult factory.</p> <p>E. See installation section.</p>
2. No pulse from meter unit.	<p>A. No power to meter (test terminals 1 &amp; 6 — should read line voltage).</p> <p>B. Defective switch.</p> <p>C. Defective reset motor.</p>	<p>A. Check wiring to meter. Check wiring at control valve.</p> <p>B. Immediate pulse models replace switch P/N 15320 - 180 &amp; 90 min., 10896 - 6 min. Delayed pulse models replace switch P/N 15320.</p> <p>C. Replace motor.</p>
3. Extended or continuous pulse.	<p>A. Defective reset motor.</p> <p>B. Defective pulse switch.</p>	<p>A. Replace reset motor.</p> <p>B. Immediate pulse models replace switch P/N 15320 - 180 &amp; 90 min., 10896 - 6 min. <b>Delayed pulse model</b> replace switch P/N 15320.</p>
4. Softener running into hard water before meter sends pulse.	<p>A. Capacity of softener not set-up properly.</p> <p>B. Incorrect gallon setting.</p> <p>C. Not enough reserve capacity for <b>Delayed Pulse</b> meter.</p> <p>D. Low flows. less than 0.7 gpm for 2750RM less than 1.5 gpm for 2850RM less than 3.0 gpm for 3100RM less than 7.0 gpm for 3900RM</p>	<p>A. Readjust salt settings for proper capacity. See softener mfg. set-up instructions.</p> <p>B. Check raw water hardness and unit capacity Recalculate gallons.</p> <p>C. Adjust meter setting to a lower gallon setting.</p> <p>D. Consult factory.</p>

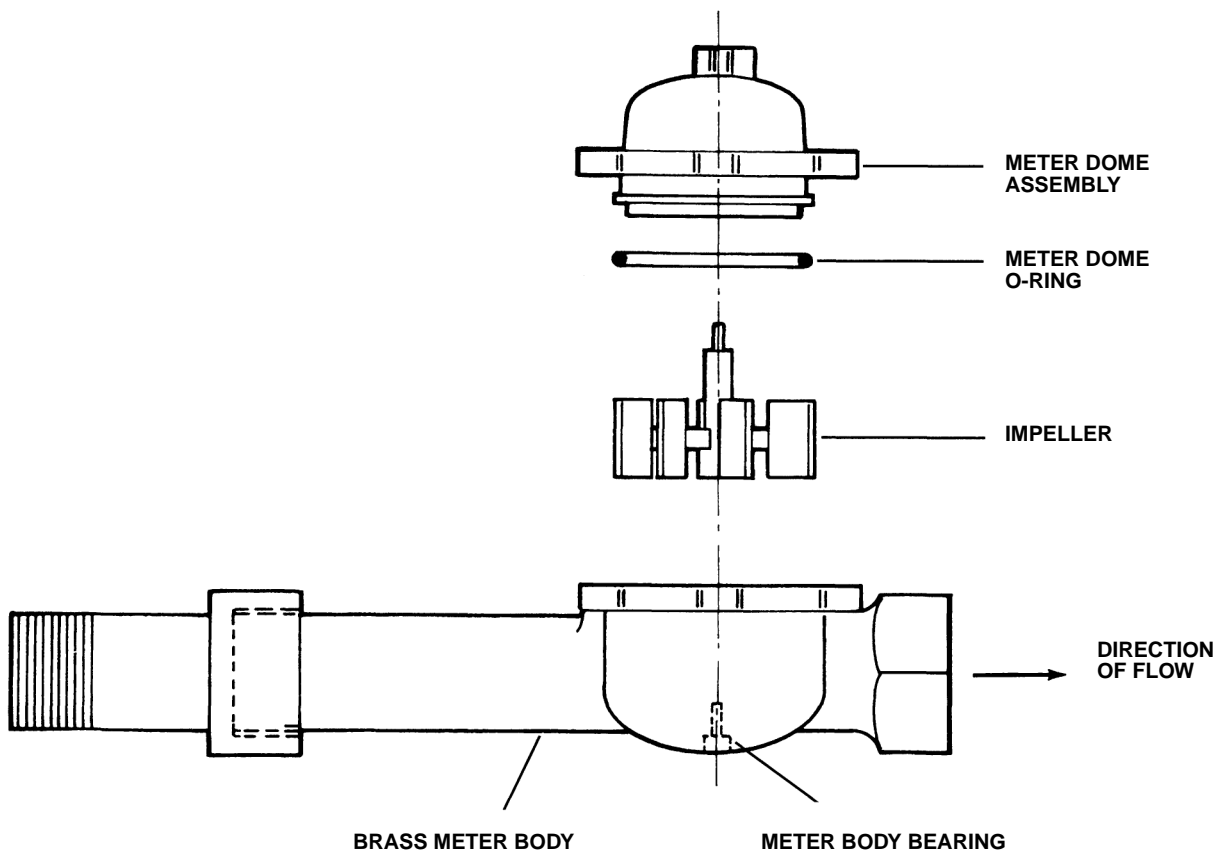


# MODEL 2750RM, 2850RM, 3100RM & 3900RM

## *Dome & Impeller Replacement Procedure*

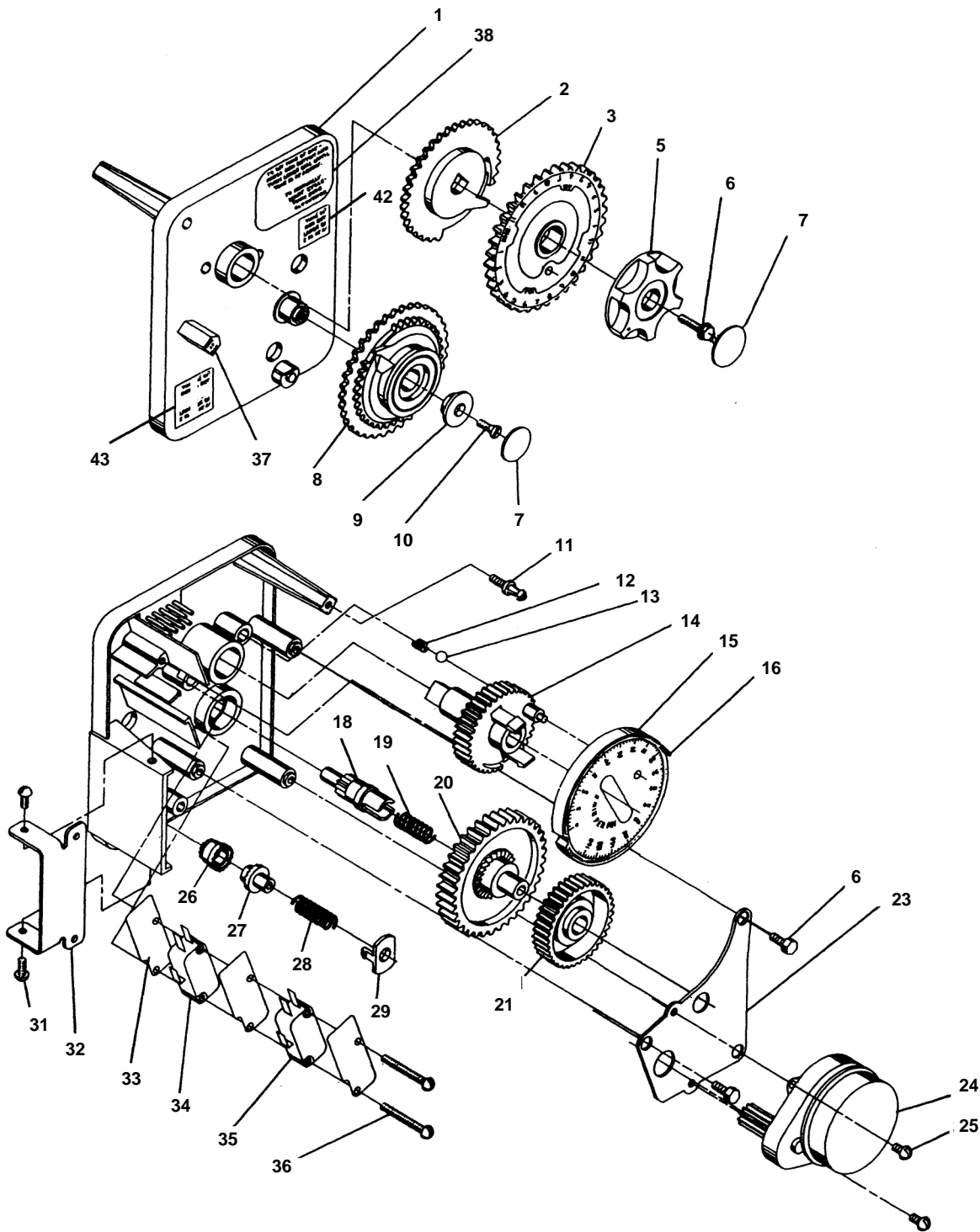
### Note Meter Dome and Impeller Replacement

1. Turn off water supply.
2. Remove cover bolts.
3. Remove meter dome assembly. Meter dome can be rotated 360° to help loosen O-ring seal.
4. Inspect impeller for foreign material. Clean or replace. If the meter is defective, replace entire assembly. **DO NOT** attempt to remove gear box cover plate.
5. Lubricate meter dome O-ring with silicone lubricant and place on dome assembly.
6. Place impeller on impeller shaft.
7. Place meter dome on top of meter assembly, making sure the impeller slips into body bearing.



# MODEL 3210 REMOTE METER TIMER

## *Delayed Regeneration Timer Assembly*



See opposite page for parts list.

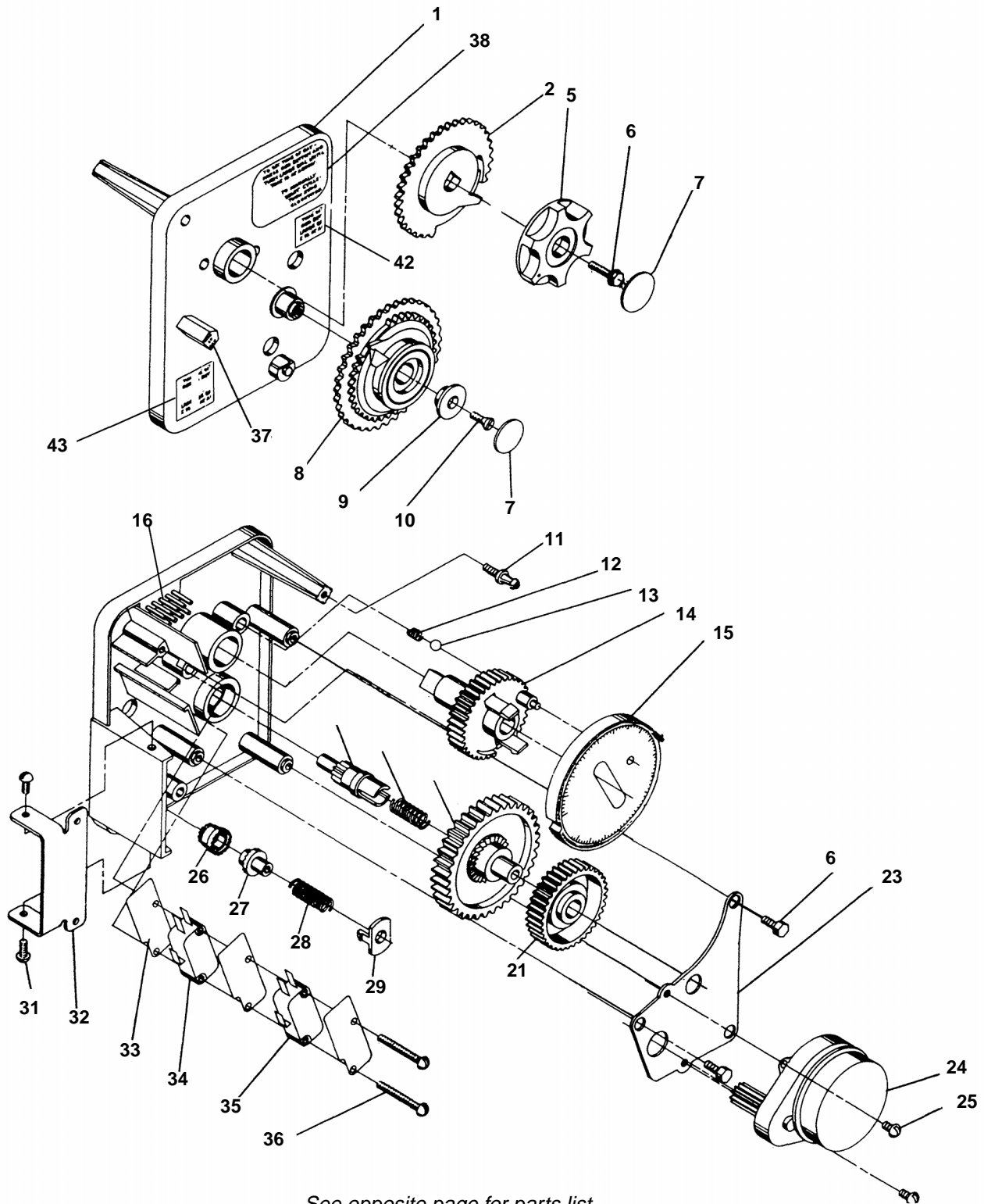
# MODEL 3210 REMOTE METER TIMER

## *Delayed Regeneration Timer Assembly (continued)*

Item No.	Quantity	Part No.	Description
1	1	13870-01	Timer Housing Assembly
2	1	13802	Cycle Actuator Gear
3	1	40096-24	24 Hr. Gear Assy 12 Midnight
		40096-02	24 Hr. Gear Assy 2 A.M.
5	1	13886-01	Knob
6	4	13296	Screw - Timer Knob & Motor Plate Mtg.
7	2	11999	Button Decal
8	1	60405	Program Wheel Assembly, Specify Gallons
9	1	13806	Program Wheel Retainer
10	1	13748	Screw - Program Wheel Mtg.
11	1	14265	Spring Cup
12	1	15424	Spring - Detent
13	1	15066	Ball - 1/4 in. dia.
14	1	13911	Main Drive Gear
15	1	19210	Program Wheel Assembly
16	21	15493	Roll Pin
17			Not Assigned
18	1	13018	Idler Shaft
19	1	13312	Spring-Idler
20	1	13017	Idler Gear
21	1	13164	Drive Gear
23	1	13887	Motor Mounting Plate
24	1	18743	Motor - 110V., 60 Hz
		19659	Motor - 24V., 60 Hz.
25	2	13278	Screw - Motor Mounting
26	1	13830	Drive Pinion - Program Wheel
27	1	13831	Clutch - Drive Pinion
28	1	14276	Spring
29	1	14253	Spring Retainer
30			Not Assigned
31	3	11384	Screw - Timer Hinge & Ground Wire
32	1	13881	Hinge Bracket
33	3	14087	Insulator
34	1	10896	Switch
35	1	15320	Switch
36	2	11413	Screw - Switch Mounting
37	1	14007	Decal - Time of Day
38	1	16118	Decal - Instructions
39	1	13902	Harness - Not Shown
40	2	12681	Wire Connector - Not Shown
41	1	15354-01	Ground Wire - Not Shown
42	1	17870	Label, Indicator
43	1	15465	Label, Caution

# MODEL 3220 REMOTE METER TIMER

## *Immediate Regeneration Timer Assembly*



See opposite page for parts list.

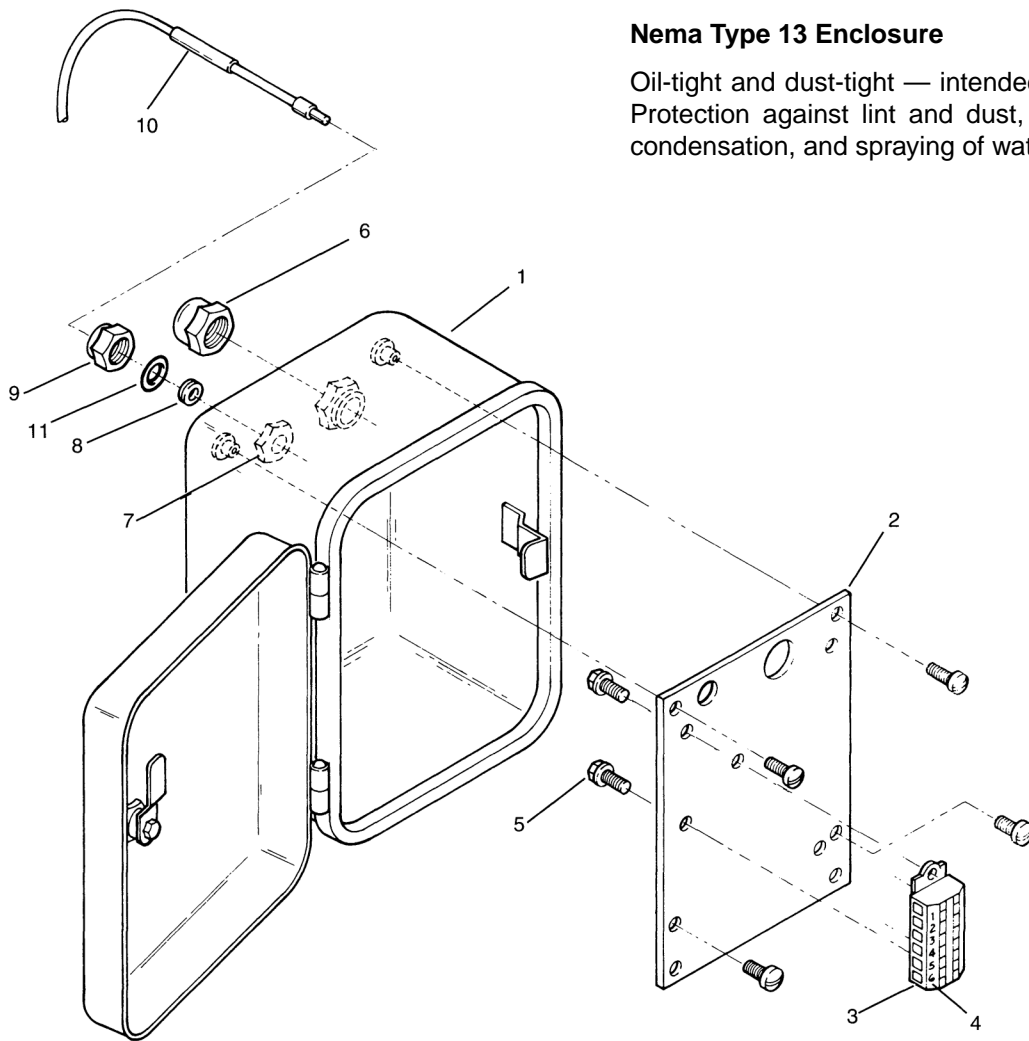
# MODEL 3220 REMOTE METER TIMER

## *Immediate Regeneration Timer Assembly (continued)*

Item No.	Quantity	Part No.	Description
1	1	13870-01	Timer Housing Assembly
2	1	15431	Cycle Actuator Gear
5	1	13886-01	Knob
6	4	13296	Screw - Timer Knob & Motor Plate Mtg.
7	2	11999	Button Decal
8	1	60405	Program Wheel Assembly, Specify Gallons
9	1	13806	Program Wheel Retainer
10	1	13748	Screw - Program Wheel Mtg.
11	1	14265	Spring Clip
12	1	15424	Spring - Detent
13	1	15066	Ball - 1/4 in. dia.
14	1	15055	Main Drive Gear
15	1	13880-04	Program Wheel 1 RPM
16	10	15493	Roll Pin
17			Not Assigned
18	1	13018	Idler Shaft
19	1	13312	Spring - Idler
20	1	13017	Idler Gear
21	1	13164	Drive Gear
23	1	13887	Motor Mounting Plate
24	1	14974	Motor -110 V., 60 Hz.,1RPM
25	2	13278	Screw - Motor Mounting
26	1	14502	Drive Pinion - Program Wheel
27	1	14501	Clutch - Drive Pinion
28	1	14276	Spring
29	1	14253	Spring Retainer
30			Not Assigned
31	3	11384	Screw - Timer Hinge & Ground Wire
32	1	13881	Hinge Bracket
33	3	14087	Insulator
34	1	15314	Switch
35	1	10896	Switch, 1RPM
36	2	11413	Screw - Switch Mounting
37	1	14007	Decal - Time of Day
38	1	15148	Decal - Instructions
39	1	13902	Harness - Not Shown
40	2	12681	Wire Connector - Not Shown
41	1	15354-01	Ground Wire - Not Shown
42	1	17870	Label, Indicator
43	1	15465	Label, Caution

# MODEL 2750RM, 2850RM, 3100RM & 3900RM

## “Optional” Nema 13 Enclosure



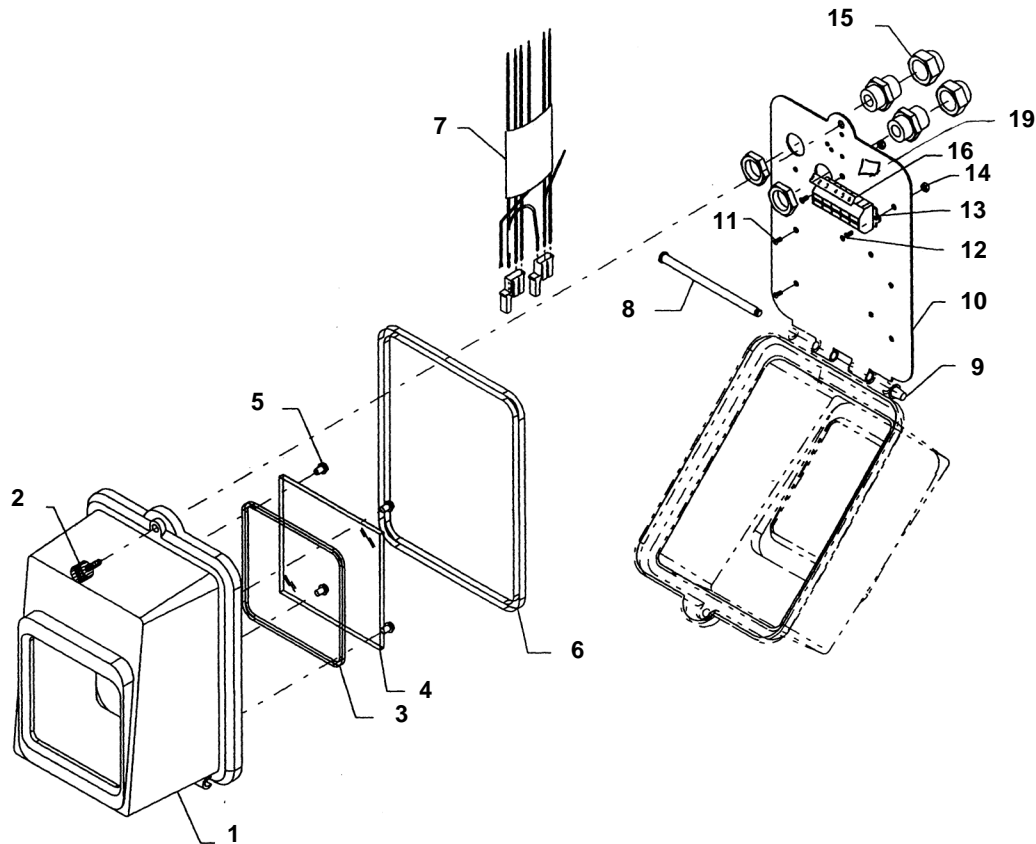
### Nema Type 13 Enclosure

Oil-tight and dust-tight — intended for indoor usage. Protection against lint and dust, seepage, external condensation, and spraying of water, oil or coolant.

Item No.	Quantity	Part No.	Description
1	1	15324	Instrument Encloser
2	1	15325	Mounting Panel
3	1	15226	Terminal Strip - 6
4	2	15250	Label — Terminal Strip
5	2	13296	Screw — Terminal Strip
6	1	17967	Liquid Tight Fitting
7	1	15326	Nut — Cable Guide
8	1	15330	Quad Ring
9	1	15327	Cable Guide
10	1	15328	Meter Cable Assembly
11	1	13201	O-Ring

# MODEL 2750RM, 2850RM, 3100RM & 3900RM

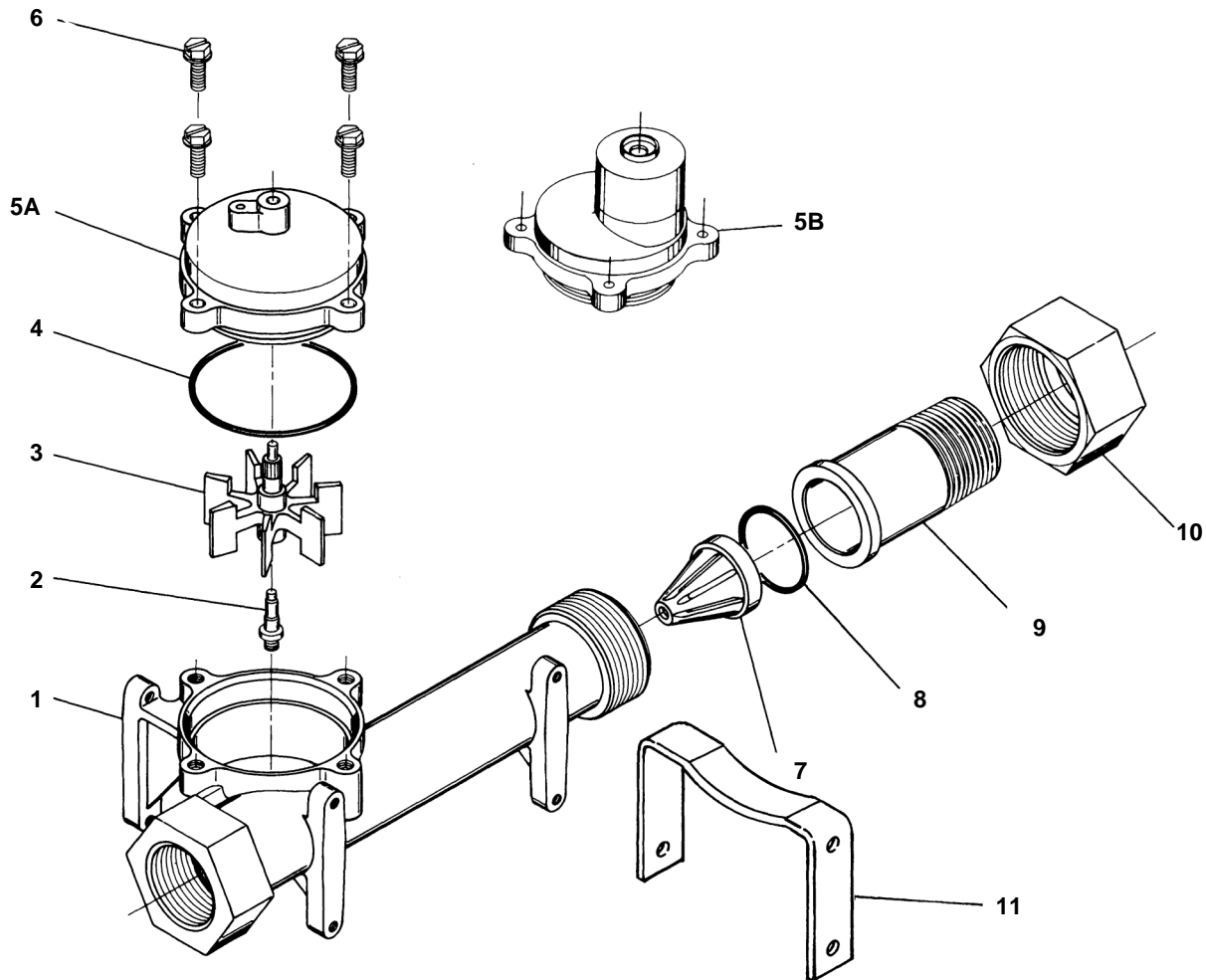
## Remote Meter w/Environmental Cover



Item No.	Quantity	Part No.	Description
1	1	18881	Cover, Head
2	1	18744	Screw, Plastic
3	1	18615-02	Seal, .125 dia.
4	1	18745	Window
5	4	19203	Screw, #6-20 x 7/16"
6	1	18716-03	Seal, .25 dia.
7	1	14710	Wire Harness-Timer
8	1	17845-01	Hinged Pin
9	1	18679	Tapered Cap
10	1	19073	Backplate, Specify System/Timer
11	4	14930	Screw, #8-32 x 1/2"
12	2	10299	Screw, #5-40 x 3/8"
13	1	15226-6	Terminal Strip (6-Position, Gray)
14	1	12732	Nut, #5-40
15	2	17967	Fitting, Liquid Tight
16	2	15250	Label, Terminal Strip
17	1	19675	Holder, Fuse (Not Shown)
18	1	19676	Fuse 6.3A, 250 V (Not Shown)
19	1	19913	Label, Warning
20	1	19709	Label, Fuse Holder (Not Shown)

# MODEL 2750RM

## 1" Meter Assembly

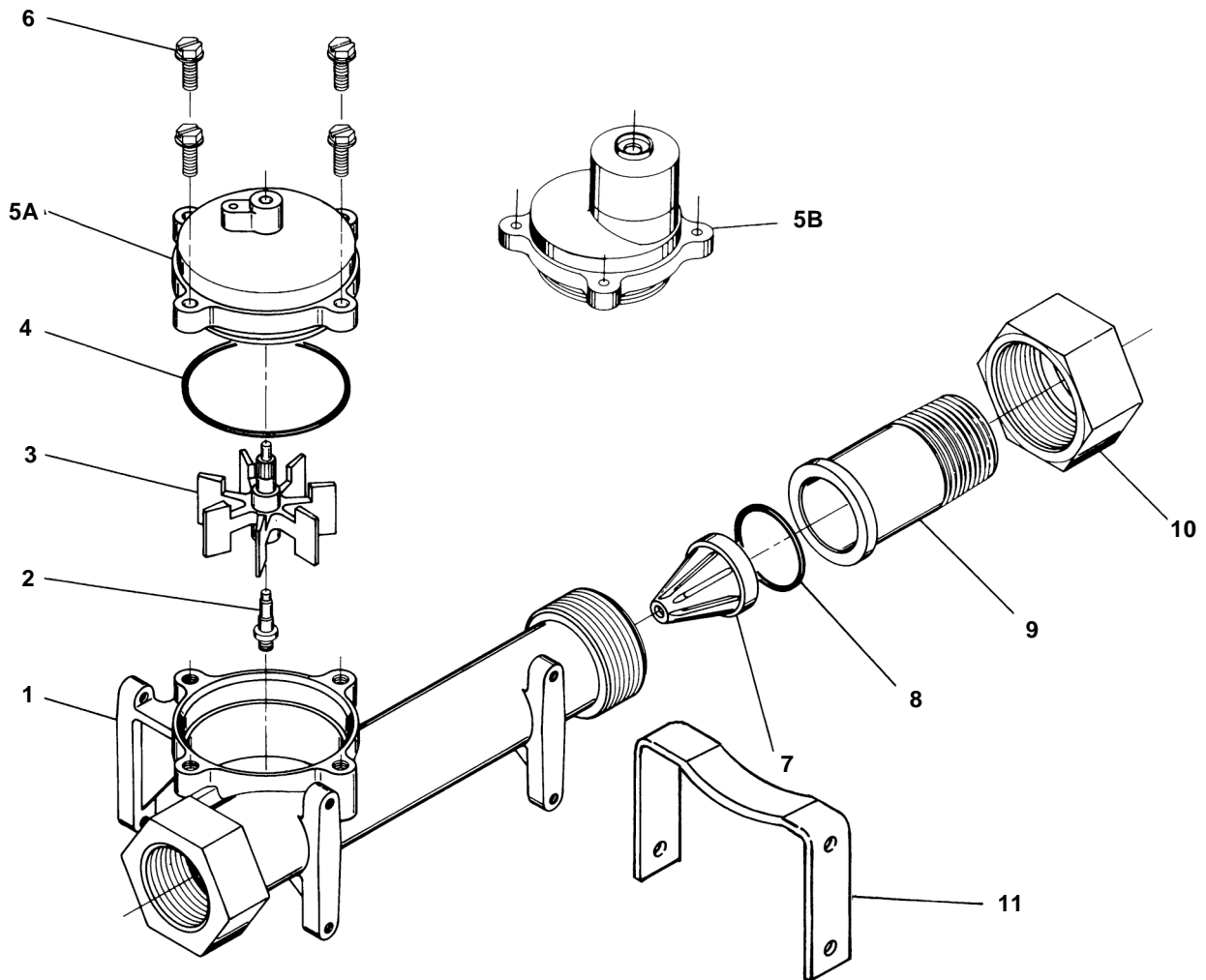


Item No.	Quantity	Part No.	Description
1	1	14959	Meter Body
2	1	13882	Turbine Post Assembly
3	1	13509	Turbine
4	1	13847	O-Ring — Meter Cover
5A	1	15218	Meter Cover Assembly (Std.)
5B	1	15237	Meter Cover Assembly (Extended Range)
6	4	12112	Screw — Meter Cover
7	1	14960	Flow Straightener
8	1	13287	O-Ring — Quick Connect
9	1	14961	Nipple — Quick Connect
10	1	14962	Nut — Quick Connect
11	1	15371	Reverse Mounting Bracket (Optional as needed)



# MODEL 2850RM

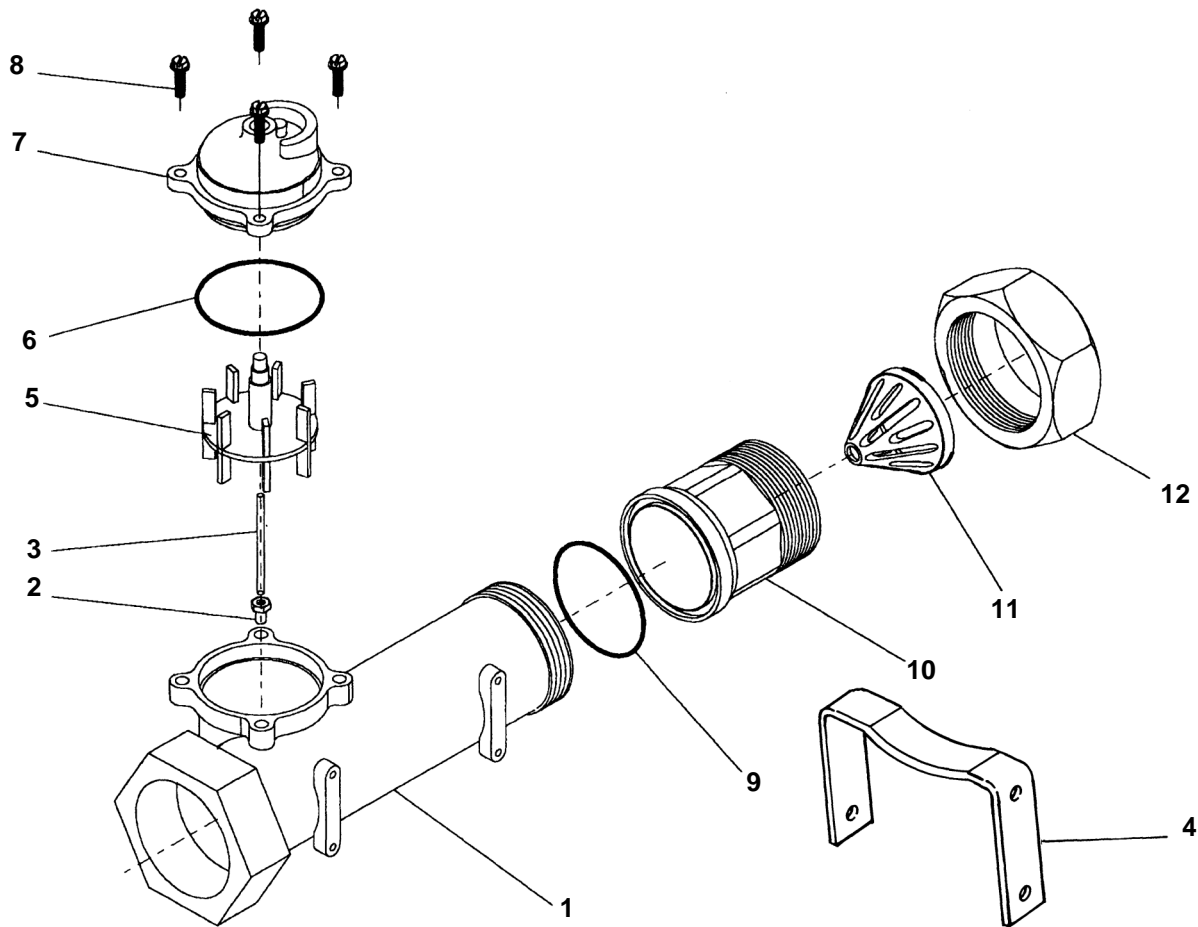
## 1-1/2" Meter Assembly



Item No.	Quantity	Part No.	Description <sup>1</sup>
1	1	17569	Meter Body
2	1	13882	Turbine Post Assembly
3	1	13509	Turbine
4	1	13847	O-Ring — Meter Cover
5A	1	15218	Meter Cover Assembly (Std.)
5B	1	15237	Meter Cover Assembly (Extended Range)
6	4	12112	Screw — Meter Cover
7	1	17542	Flow Straightener
8	1	12733	O-Ring
9	1	17544	Nipple — Quick Connect
10	1	17543	Nut - Quick Connect
11	1	15371	Reverse Mounting Bracket

# MODEL 3100RM

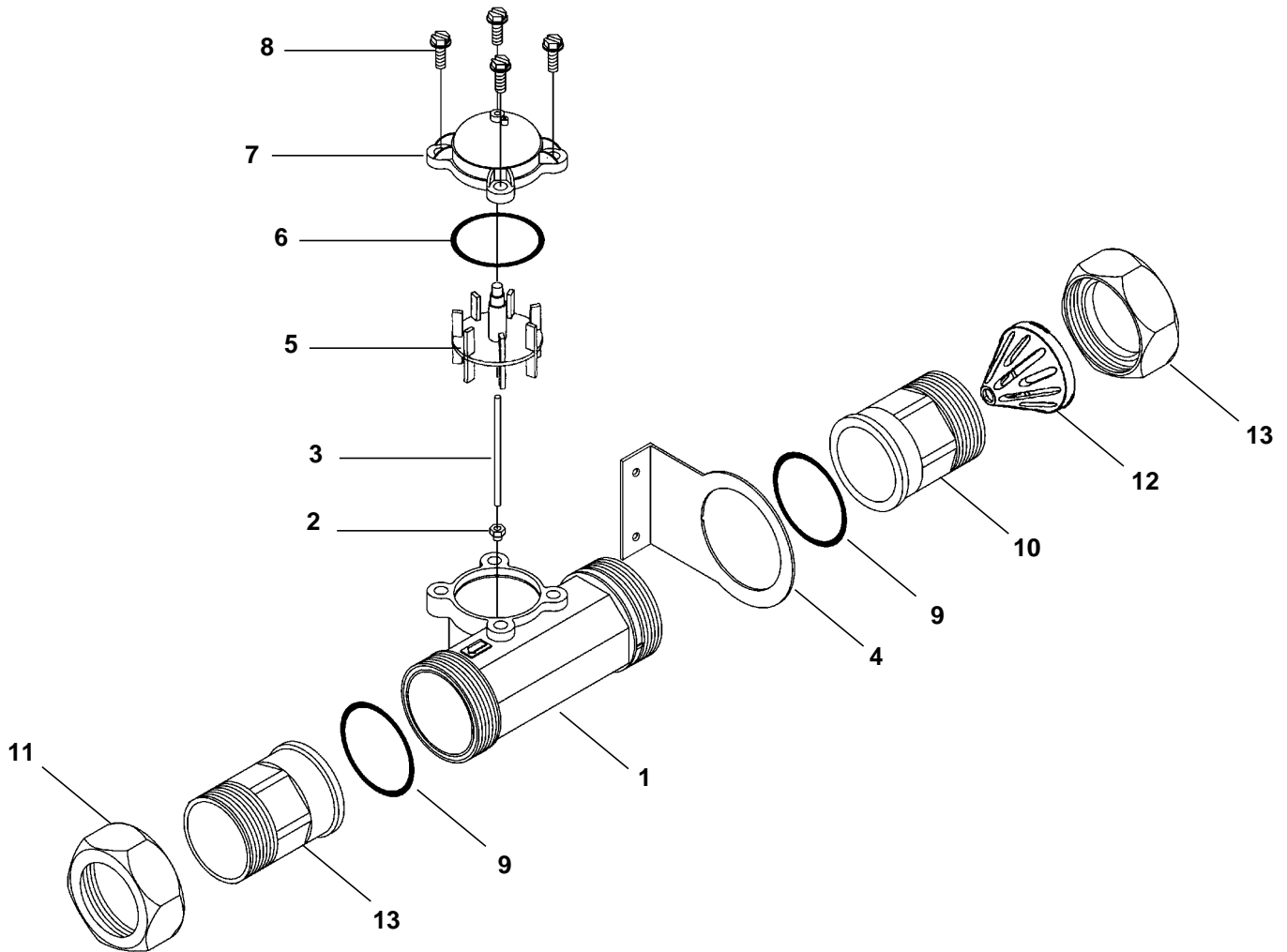
## 2" Brass Meter Assembly



Item No.	Quantity	Part No.	Description
1	1	14456	Meter Body
2	1	15532	Impeller Shaft Retainer
3	1	15432	Impeller Shaft
4		14955	Reverse Mounting Bracket (Optional as Needed)
5	1	15374	Impeller
6	1	13847	O-Ring - Meter Cover
7	1	15218	Meter Cover Assembly (Standard)
	1	15237	Meter Cover Assembly (Extended Range)
8	4	12112	Screw - Meter Cover
9	1	14679	O-Ring - Quick Connect
10	1	14568	Nipple - Quick Connect
11	1	14680	Flow Straightener
12	1	14569	Nut - Quick Connect

# MODEL 3100RM

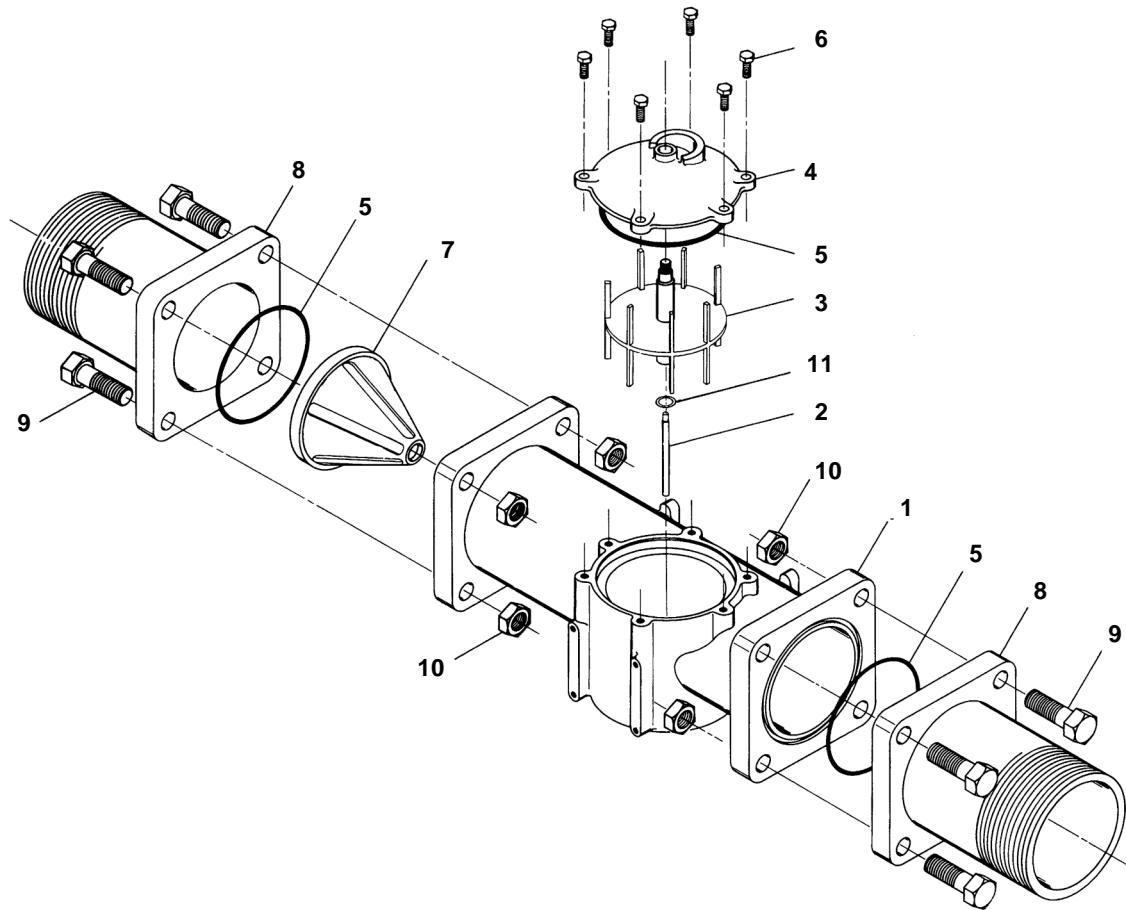
## 2" Plastic Meter Assembly



Item No.	Quantity	Part No.	Description
1	1	17689	Body, Meter, 2" Plastic
2	1	15532	Shaft, Impeller Seat
3	1	15432	Shaft, Impeller
4	1	19489	Bracket, 2" Meter
5	1	15374	Impeller Assembly, 2" Meter
6	1	13847	O-Ring, -137, Meter
7	1	14038	Meter Cap Assembly (Standard Range)
	1	15150	Meter Cap Assembly (Extended Range)
8	4	12473	Screw, Hex Washer, 10-24 x 5/8
9	2	19485	O-Ring, -141, Meter
10A	1	17987-001	Fitting, Nipple, 2", Plastic, NPT, Machined
10B	1	17987-101	Fitting, Nipple, 2", Plastic, BSP, Machined
11A	1	17987-000	Fitting, Nipple, 2", Plastic, NPT
11B	1	17987-100	Fitting, Nipple, 2", Plastic, BSP
12	1	14680	Flow Straightener
13	2	17988	Nut, 2" Meter

# MODEL 3900RM

## 3" Meter Assembly



Item No.	Quantity	Part No.	Description
1	1	16254	Meter Body
2	1	16279	Impeller Shaft
3	1	16575	Impeller Assembly
4	1	16400	Meter Cover Assembly (Std.)
	1	16401	Meter Cover Assembly — Ext. Range
5	3	15707	O-Ring — 236
6	6	12112	Screw — Hex Hd.
7	1	16280	Flow Straightener
8	2	16328	Connecting Flange
9	8	16042	Screw — Hex. Hd.
10	8	16386	Nut — 1/2 - 13
11	1	16574	Washer, Thrust

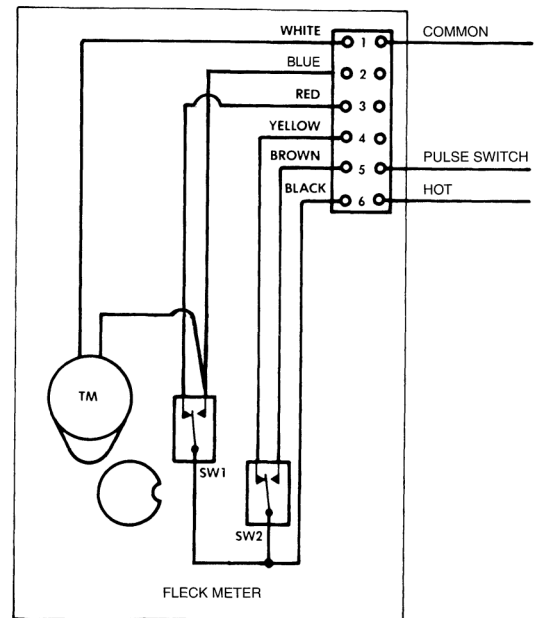
# MODEL 2750RM, 2850RM, 3100RM & 3900RM

## Remote Meter Wiring

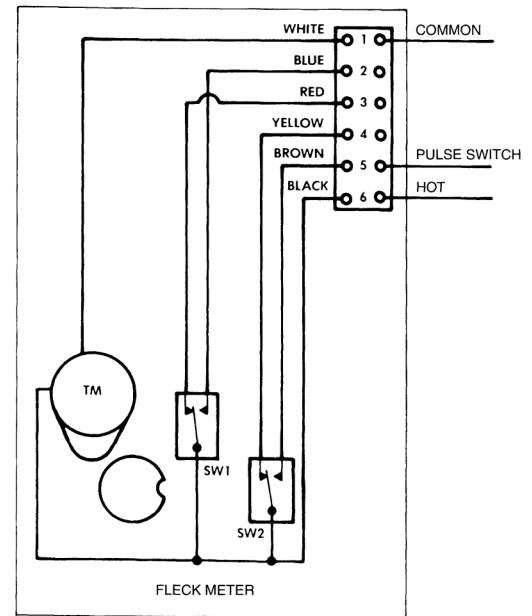
### IMMEDIATE REGENERATION — Internal Wiring

For Time Clock override, a 2-5 minute signal to terminal "2" will reset the Meter.

**NOTE:** See wiring diagram enclosed with valve for proper meter to valve wiring.



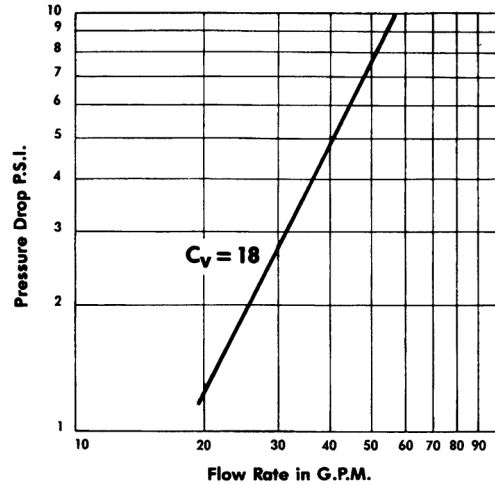
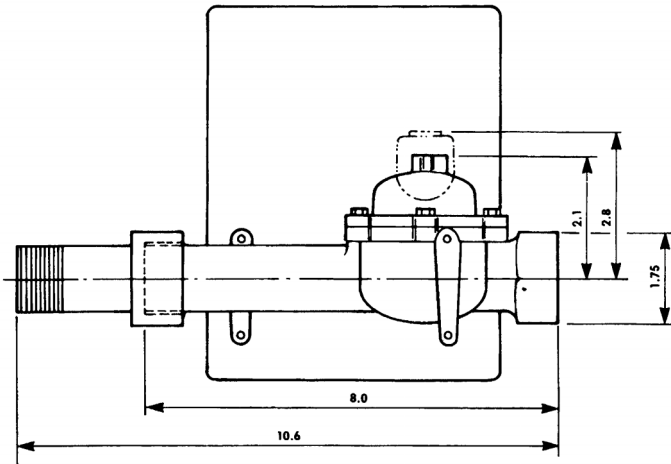
### DELAYED REGENERATION — Internal Wiring



# MODEL 2750RM, 2850RM, 3100RM & 3900RM

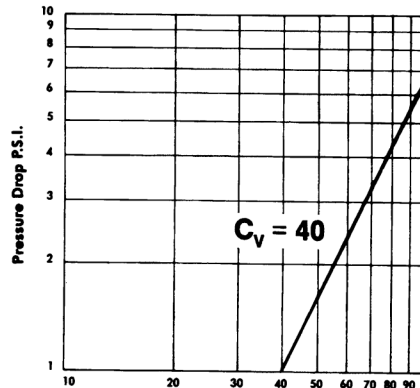
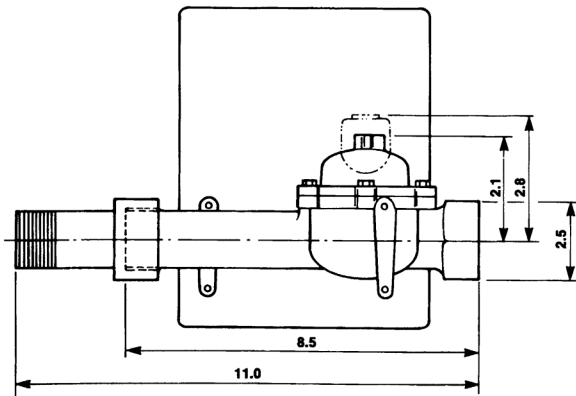
## Performance Data

### 1" MECHANICAL METER AND FLOW/PRESSURE LOSS DATA



- Standard Range 310 Gal. Min. to 5,270 Gal. Max.
- Flow Accuracy  $\pm 5\%$  0.7 to 40 gpm.
- Extended Range 1,550 Gal. Min to 26,350 Gal. Max.

### 1-1/2" MECHANICAL METER AND FLOW/PRESSURE LOSS DATA

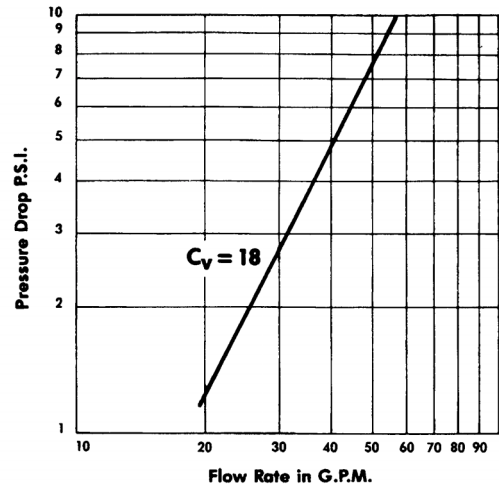
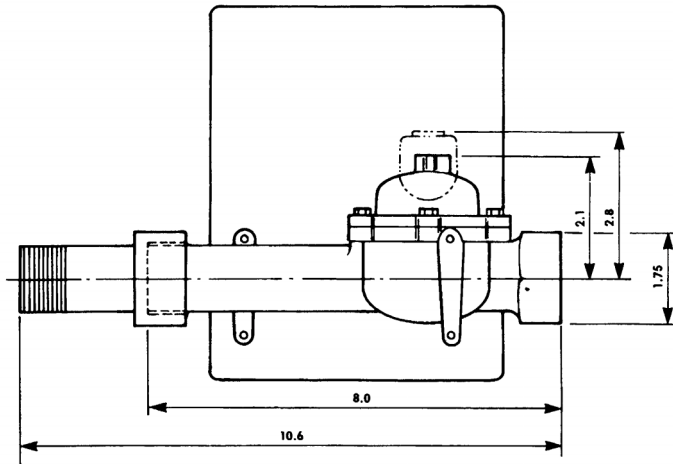


- Standard Range 625 Gal. Min. to 10,625 Gal. Max.
- Extended Range 3,125 Gal. Min. to 53,125 Gal. Max.
- Flow Accuracy  $\pm 5\%$  1.5 to 75 gpm.

# MODEL 2750RM, 2850RM, 3100RM & 3900RM

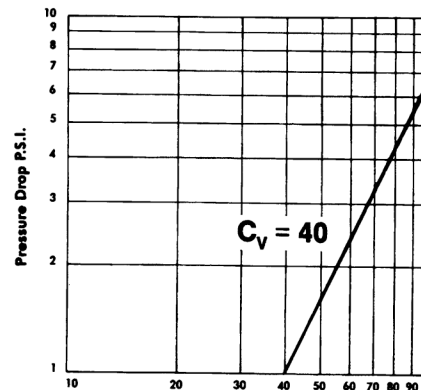
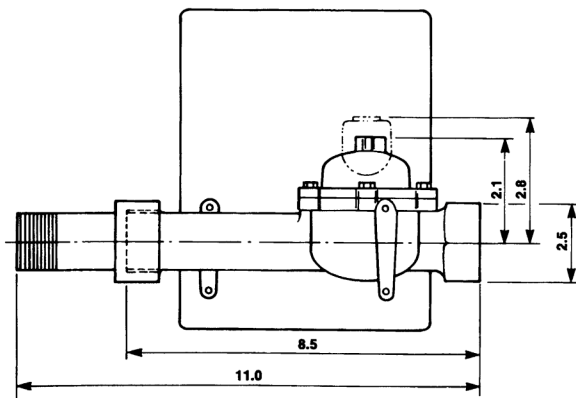
## Performance Data (continued)

### 2" MECHANICAL METER AND FLOW/PRESSURE LOSS DATA



- Standard Range 1250 Gal. Min. to 21,250 Gal. Max.
- Extended Range 6250 Gal. Min. to 106,250 Gal. Max.
- Flow Accuracy  $\pm 5\%$  3 to 150 gpm.

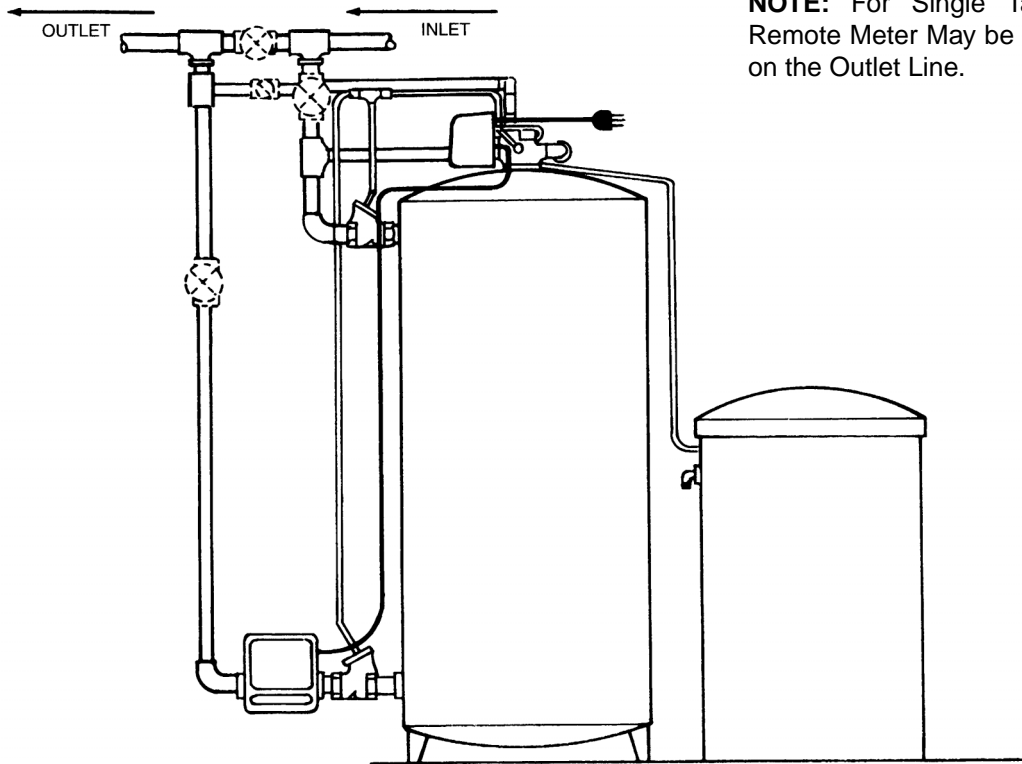
### 3" MECHANICAL METER AND FLOW/PRESSURE LOSS DATA



- Standard Range 3,750 Gal. Min. to 63,750 Gal. Max.
- Extended Range 18,750 Gal. Min. to 318,750 Gal. Max.
- Flow Accuracy  $\pm 5\%$  7 to 300 gpm.

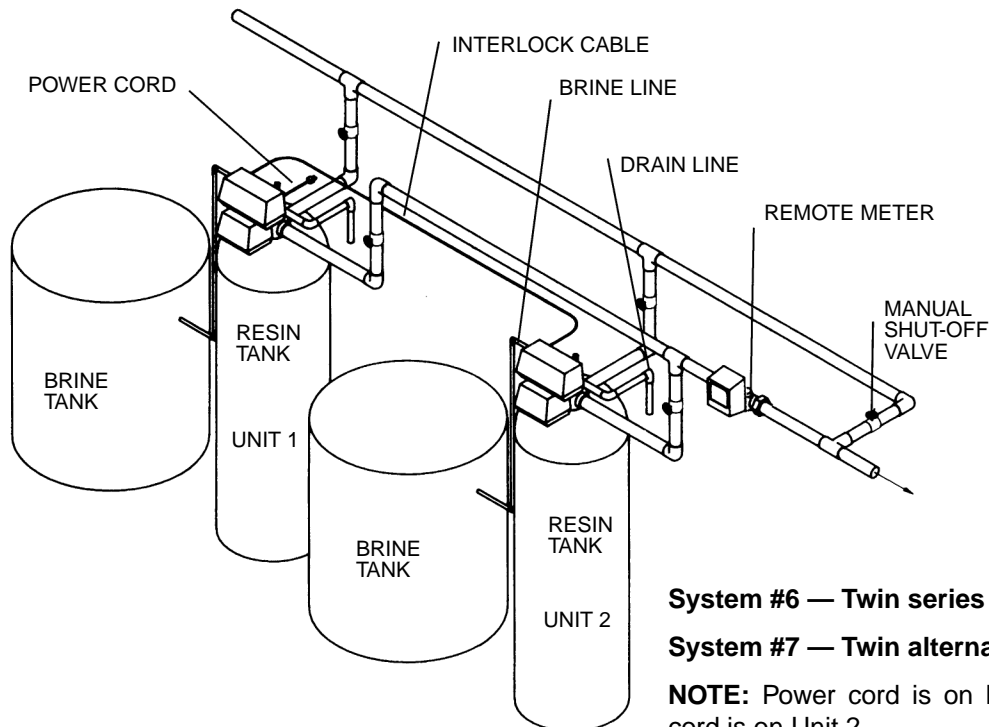
# MODEL 2750RM, 2850RM, 3100RM & 3900RM

## Top Mount Valve Plumbing Diagrams



**NOTE:** For Single Tank Applications Remote Meter May be placed Anywhere on the Outlet Line.

**Single Tank Top Mount with Service Valve**



**System #6 — Twin series regeneration 2900 & 3900**

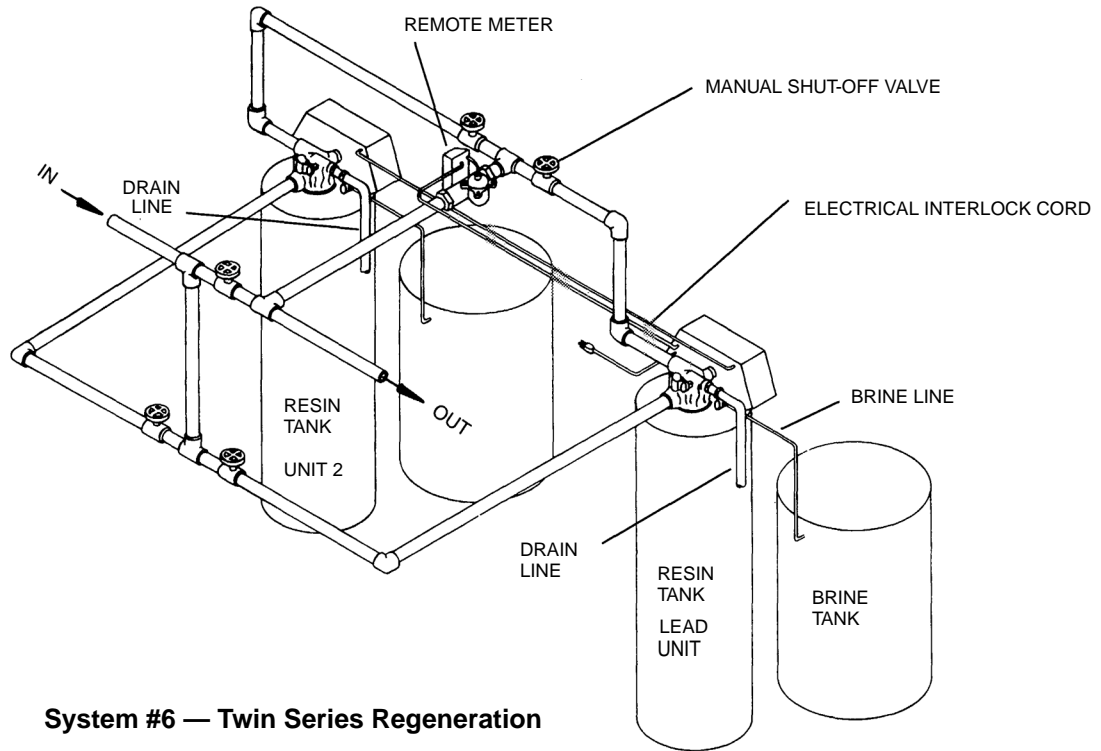
**System #7 — Twin alternator installation 2900 & 3900**

**NOTE:** Power cord is on lag unit. On system 7 power cord is on Unit 2.

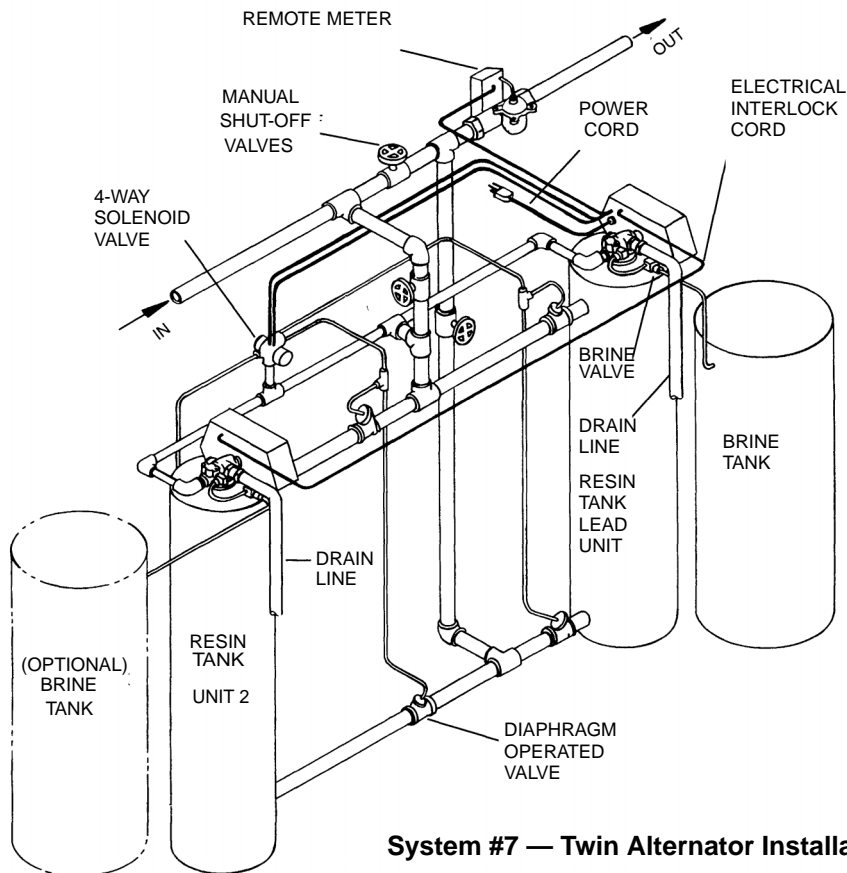


# MODEL 2750RM, 2850RM, 3100RM & 3900RM

## Top Mount Valve Plumbing Diagrams (continued)



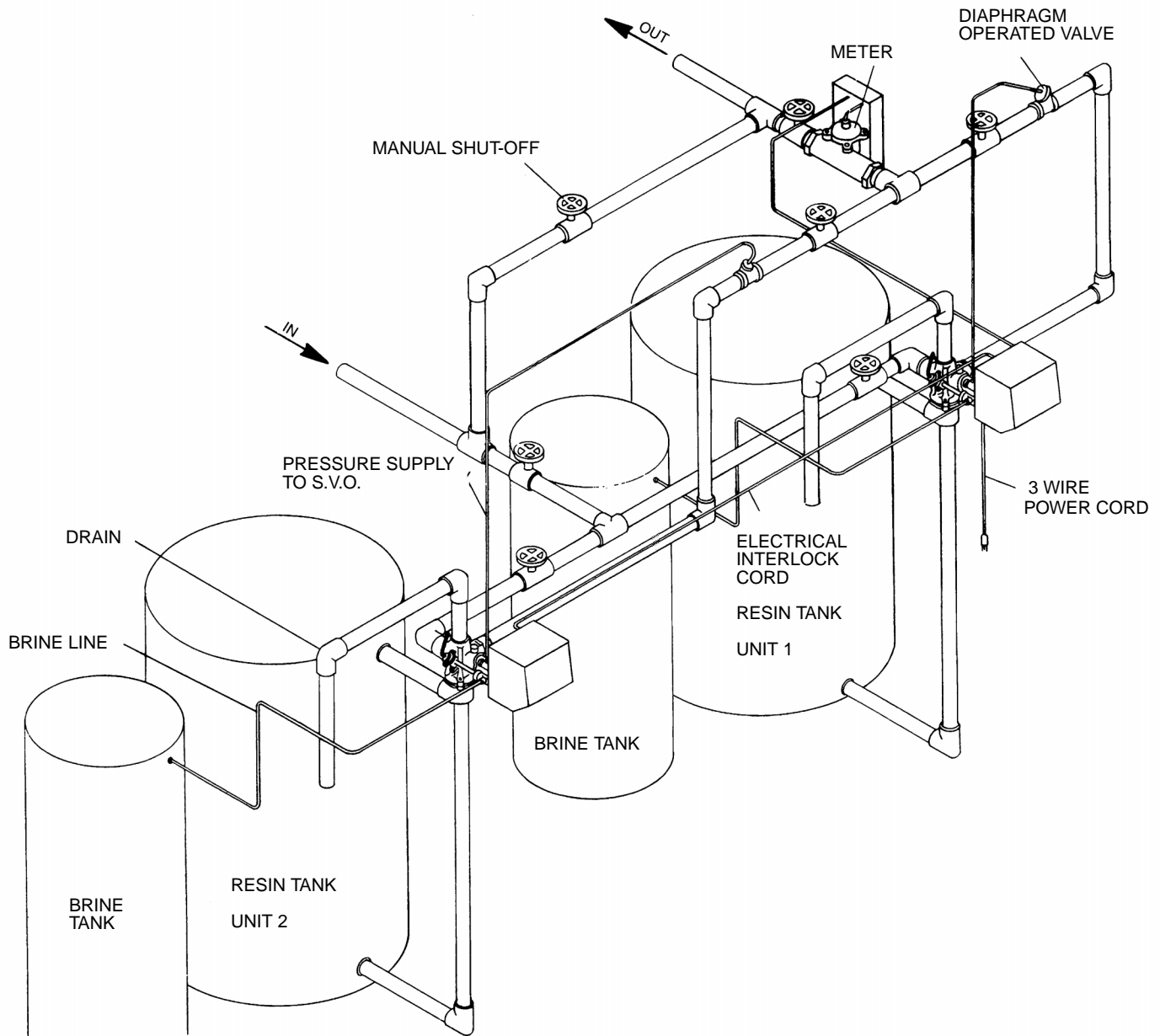
**System #6 — Twin Series Regeneration**



**System #7 — Twin Alternator Installation**

# MODEL 2750RM, 2850RM, 3100RM & 3900RM

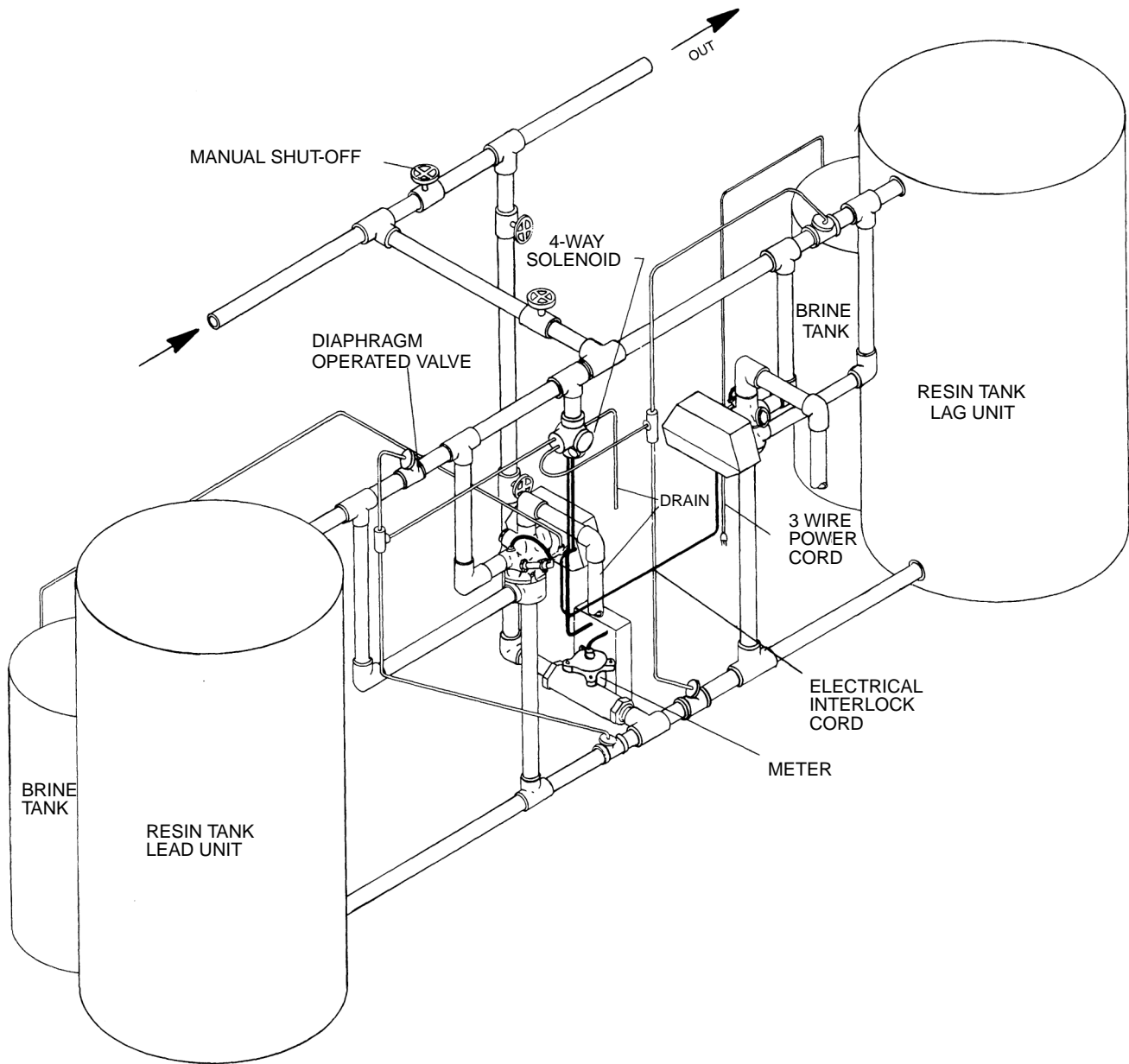
## Side Mount Valve Plumbing Diagrams



System #6 — Twin Series Regeneration

# MODEL 2750RM, 2850RM, 3100RM & 39RM

## Side Mount Valve Plumbing Diagrams (continued)



System #7 — Twin Alternator Installation

# MODEL 2750RM, 2850RM, 3100RM

---

## Service Assemblies

---

60391 ..... 1" 2750 Meter Assy., Std. Range  
60392 ..... 1" 2750 Meter Assy., Std. Range  
60610-01 ..... 1-1/2" 2850 Meter Assy., Std. Range  
60610-02 ..... 1-1/2" 2750 Meter Assy., Std. Range  
60393 ..... 2" 3100 Meter Assy., Std. Range  
60394 ..... 2" 3100 Meter Assy., Ext. Range  
60608-01 ..... 3" 3900 Meter Assy., Std. Range  
60608-02 ..... 3" 3900 Meter Assy., Ext. Range  
60415 ..... Power Head Remote Meter  
For Illustration, See page 15.

### Gallon Labels

15967 ..... 3/4" Std. Range (0-2,100)  
15968 ..... 3/4" Ext. Range (0-10,000)  
15969 ..... 1 Std. Range (0-5,000)  
15970 ..... 1 Ext. Range (0-25,000)  
15968 ..... 1-1/2" Std. Range (0-10,000)  
15971 ..... 1-1/2" Ext. Range (0-50,000)  
15972 ..... 2" Std. Range (0-21,000)  
15973 ..... 2" Ext. Range (0-100,000)  
16523 ..... 3" Std. Range (0-60,000)  
16524 ..... 3" Ext. Range (0-300,000)  
60460 ..... Meter Checker kit 3/4" thru 2,  
Std. Range  
60461 ..... Meter Checker kit 3/4" thru 2,  
Ext. Range  
60462 ..... Meter Checker Kit 3

### Timer Assy.

60650 ..... Remote Meter Immed.  
For Illustration, See page 12.  
60651 ..... Remote Meter Delay  
For Illustration, See page 15.

### Meter Cable

See page 5 for correct Meter Cable  
9030495 ..... 3200 E+ Remote Timer  
902393 ..... Cover Assy. Env.  
60620 ..... 2" Plastic Meter w/Bracket 19489  
& Screw 10872

### Back Plates

19073 ..... Electronic  
19073-01 ..... Electronic Triplex  
19073-02 ..... Regular Immed & Delay  
19073-03 ..... Triplex

---

*Notes*

---

---

*Notes*

---



